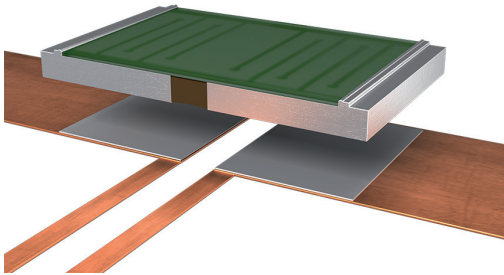


## ISA-PLAN® // PRECISION RESISTORS

### SMP-PW // Size 2010



#### Features

- 1 W permanent power at 130 °C
- Constant current up to 24 A (5 mΩm)
- Excellent long-term stability
- High pulse power rating
- Mounting: Reflow-, and IR-soldering
- *Detail specification ESCC 4001/027*
- SnPb tinned terminals

#### Applications

- Aerospace



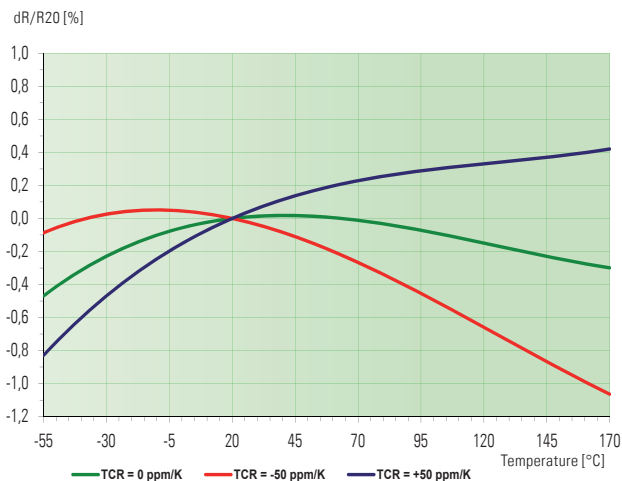
#### Technical data

Resistance values	<b>Ωm</b>	0.005 to 1 *	
Tolerance	<b>%</b>	0.5 / 1 *	
Temperature coefficient	<b>ppm/K</b>	<b>&lt;10 mΩm</b>	<b>≥10 mΩm</b>
-55 °C to +22 °C		-140, +0	-100, +0
+22 °C to +170 °C		±100	±60
+22 °C to +60 °C		±100	±50
Applicable temperature range	<b>°C</b>	-55 to +170	
Power rating	<b>W</b>	1	
Stability (nominal load) deviation after 2000h, acc. to ESCC Generic Specification		±0.2% (T <sub>K</sub> =130 °C)	

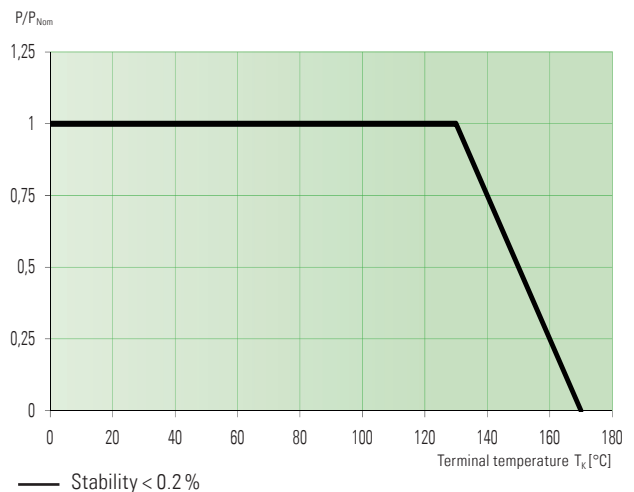
\* For detailed information see table on page 2

T<sub>K</sub> = terminal temperature

#### Temperature dependence of the electrical resistance of MANGANIN® resistors at +22 °C to +60 °C



#### Power derating curve





## SMP-PW // Size 2010

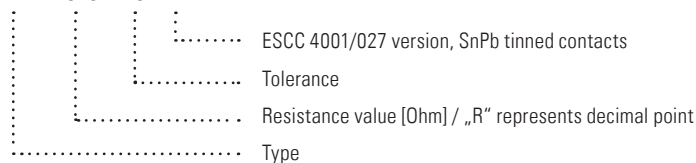
### Available standard resistance values and tolerances \*

Ordering code	ESCC component number
SMP-R005-1.0-PW	400102704R005F
SMP-R010-0.5-PW	400102701R010D
SMP-R010-1.0-PW	400102701R010F
SMP-R015-1.0-PW	400102701R015F
SMP-R018-1.0-PW	400102701R018F
SMP-R020-0.5-PW	400102701R020D
SMP-R020-1.0-PW	400102701R020F
SMP-R025-0.5-PW	400102701R025D
SMP-R025-1.0-PW	400102701R025F
SMP-R027-0.5-PW	400102701R027D
SMP-R027-1.0-PW	400102701R027F
SMP-R033-0.5-PW	400102701R033D
SMP-R033-1.0-PW	400102701R033F
SMP-R039-1.0-PW	400102701R039F
SMP-R047-0.5-PW	400102701R047D
SMP-R047-1.0-PW	400102701R047F
SMP-R050-0.5-PW	400102701R050D
SMP-R050-1.0-PW	400102701R050F
SMP-R056-0.5-PW	400102701R056D
SMP-R056-1.0-PW	400102701R056F
SMP-R082-0.5-PW	400102701R082D
SMP-R082-1.0-PW	400102701R082F
SMP-R100-0.5-PW	400102701R100D
SMP-R100-1.0-PW	400102701R100F
SMP-R180-1.0-PW	400102701R180F
SMP-R200-0.5-PW	400102701R200D
SMP-R200-1.0-PW	400102701R200F
SMP-R220-0.5-PW	400102701R220D
SMP-R220-1.0-PW	400102701R220F
SMP-R330-0.5-PW	400102701R330D
SMP-R330-1.0-PW	400102701R330F
SMP-R390-0.5-PW	400102701R390D
SMP-R390-1.0-PW	400102701R390F
SMP-R470-0.5-PW	400102701R470D
SMP-R470-1.0-PW	400102701R470F
SMP-R500-0.5-PW	400102701R500D
SMP-R560-1.0-PW	400102701R560F
SMP-1R00-0.5-PW	4001027011R00D
SMP-1R00-1.0-PW	4001027011R00F

\* other resistance values on request

### Ordering code

SMP - R010 - 1.0 - PW





## SMP-PW // Size 2010

### Recommended solder profile

Reflow- and IR-soldering				
Temperature	°C	260	255	217
Time	sec	peak	40	90

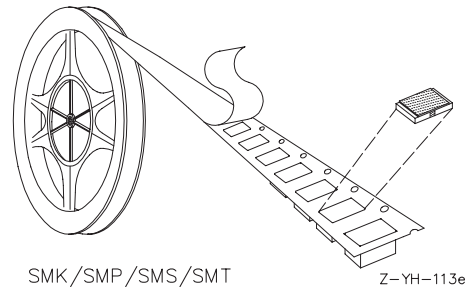
### Packaging information

Specification	DIN EN 60286-3			
Tape width	mm	12		
Reel size	inch	13		

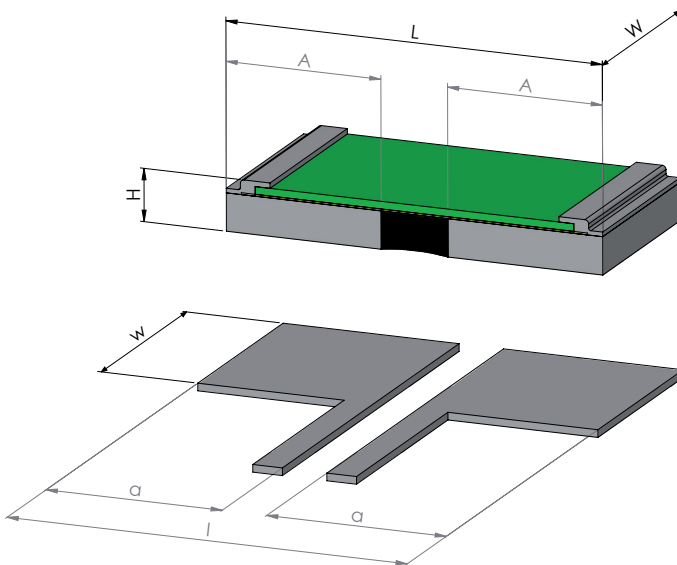
### Form of delivery

Tape	pcs	up to 500		
Tape and reel	pcs	>500		

Slight deformations during soldering do not affect technical properties of the component.



### Mechanical dimensions and pcb-layout proposal (Reflow-soldering) [mm] // Z-YE-651a



type:	L	W	A	H
SMP	5.08 ± 0.1	2.54 ± 0.1	(2.14)	0.7 ± 0.2

solder pad type:	l	w	a
SMP	5.4	2.8	2.4

**Disclaimer** // All products, product specifications and data are subject to change without notice.

The product specifications do not expand or otherwise modify Isabellenhütte's terms and conditions of sale, including but not limited to, the warranty expressed therein. Isabellenhütte makes no warranty, representation or guarantee other than as set forth in its terms and conditions of sale.

Information provided in datasheets and/or specifications may vary from actual results in different applications. Any statements made by Isabellenhütte regarding the suitability of products for certain types of applications are based on its knowledge of typical requirements that are often placed on its products. It is the customer's responsibility to validate that a particular product with the properties described in the product specification is suitable for use in the application intended.

No license, express or implied, or otherwise, to any intellectual property rights is granted by this document. Any and all liability arising out of the application or use of any product shall be as set forth in Isabellenhütte's terms and conditions of sale.

